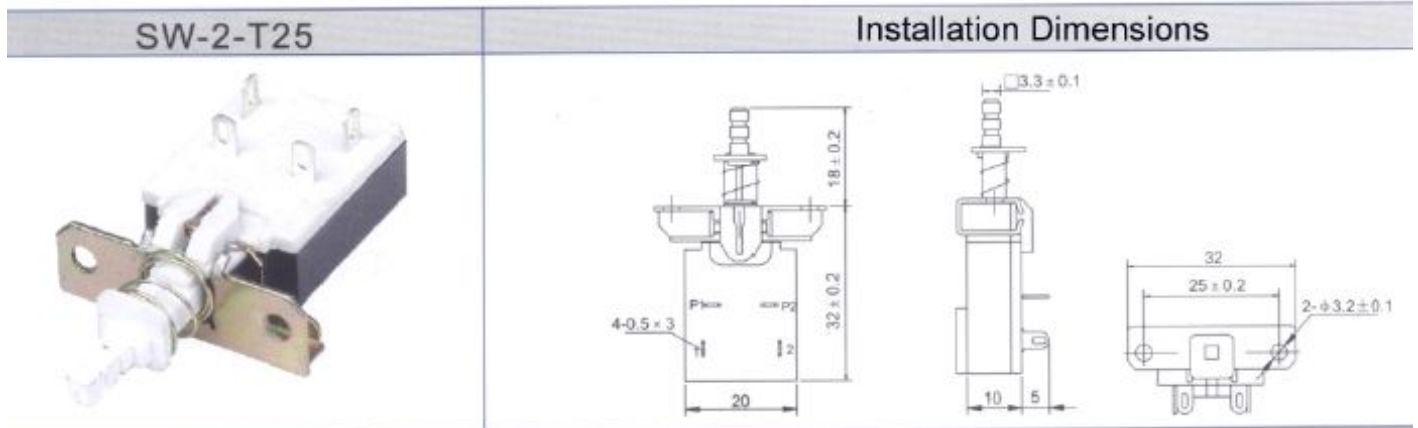


Product Specification

Product Name: Power Switch

Product Model: SW-2-T25



| Item | | Specification | Note |
|---------------------------------|-----------------------------------|-----------------------|------------------------------|
| Environmental Conditions | Temperature | -25~+85℃ | |
| | Relative Humidity | ≤95%(40℃) | |
| Type | KDC-A09 series | 2A/8A | |
| Rated Voltage | | 250V~ | |
| Contact Resistance | | ≥30MΩ | |
| Insulation Resistance | | ≥100MΩ | DC 500V |
| Voltage-Proof | Terminal to Terminal | ≥1500V~ | 0.5mA |
| | Terminal to All Metal Frame | ≥5000V~ | |
| Operating force | | 2~8N | |
| Robustness of actuation | perpendicular direction | ≥10N | 15 S |
| | Push force on operating direction | ≥50N | 1 min |
| | Push force on operating direction | ≥10N | 15S at off position |
| Lifespan | | ≥10000 times | At Rated Voltage and Current |
| Flammability | | FH ₂ | |
| Style of mounting hole | | Φ3.2 or M3 | Choices for users |
| Distance between mounting holes | | 20,25,30,35 | |
| Terminal | | Copper, silver-plated | |