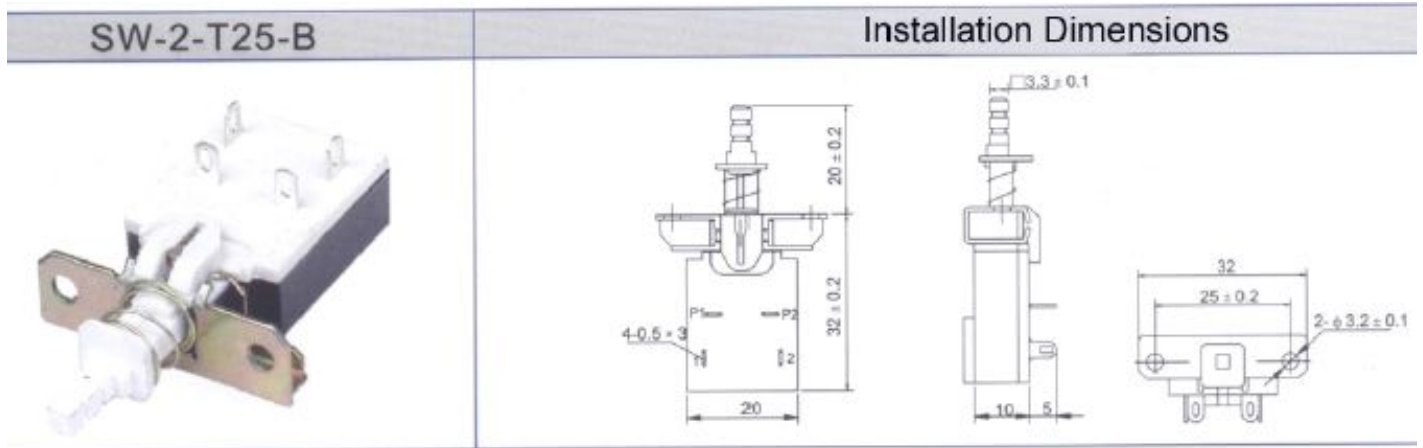


Product Specification

Product Name: Power Switch

Product Model: SW-2-T25-B



Item		Specification	Note
Environmental Conditions	Temperature	-25~+85℃	
	Relative Humidity	≤95%(40℃)	
Type	KDC-A09 series	2A/8A	
Rated Voltage		250V~	
Contact Resistance		≥30MΩ	
Insulation Resistance		≥100MΩ	DC 500V
Voltage-Proof	Terminal to Terminal	≥1500V~	0.5mA
	Terminal to All Metal Frame	≥5000V~	
Operating force		2~8N	
Robustness of actuation	perpendicular direction	≥10N	15 S
	Push force on operating direction	≥50N	1 min
	Push force on operating direction	≥10N	15S at off position
Lifespan		≥10000 times	At Rated Voltage and Current
Flammability		FH ₂	
Style of mounting hole		Φ3.2 or M3	Choices for users
Distance between mounting holes		20,25,30,35	
Terminal		Copper, silver-plated	