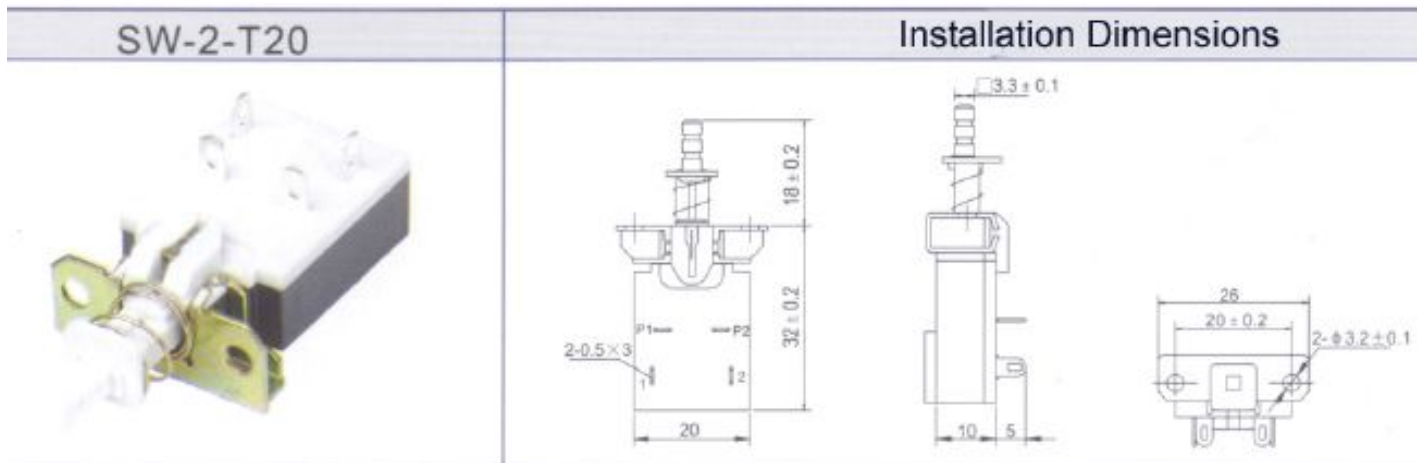


Product Specification

Product Name: Power Switch

Product Model:SW-2-T20



Item	Specification	Note	
Environmental Conditions	Temperature	-25~+85℃	
	Relative Humidity	≤95%(40℃)	
Type	KDC-A09 series	2A/8A	
Rated Voltage	250V~		
Contact Resistance	≥30MΩ		
Insulation Resistance	≥100MΩ	DC 500V	
Voltage-Proof	Terminal to Terminal	≥1500V~	
	Terminal to All Metal Frame	≥5000V~	
Operating force	2~8N	0.5mA	
Robustness of actuation	perpendicular direction	≥10N	15 S
	Push force on operating direction	≥50N	1 min
	Push force on operating direction	≥10N	15S at off position
Lifespan	≥10000 times	At Rated Voltage and Current	
Flammability	FH ₂		
Style of mounting hole	Φ3.2 or M3	Choices for users	
Distance between mounting holes	20,25,30,35		
Terminal	Copper, silver-plated		